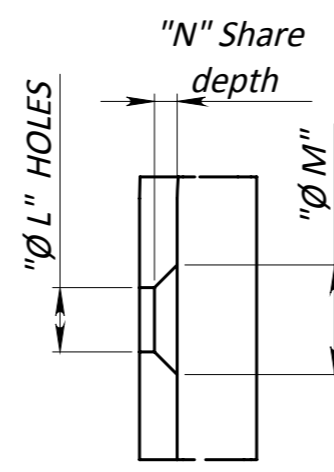
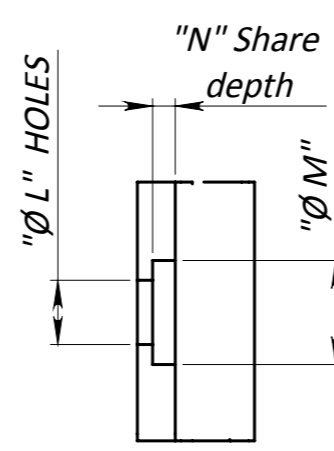


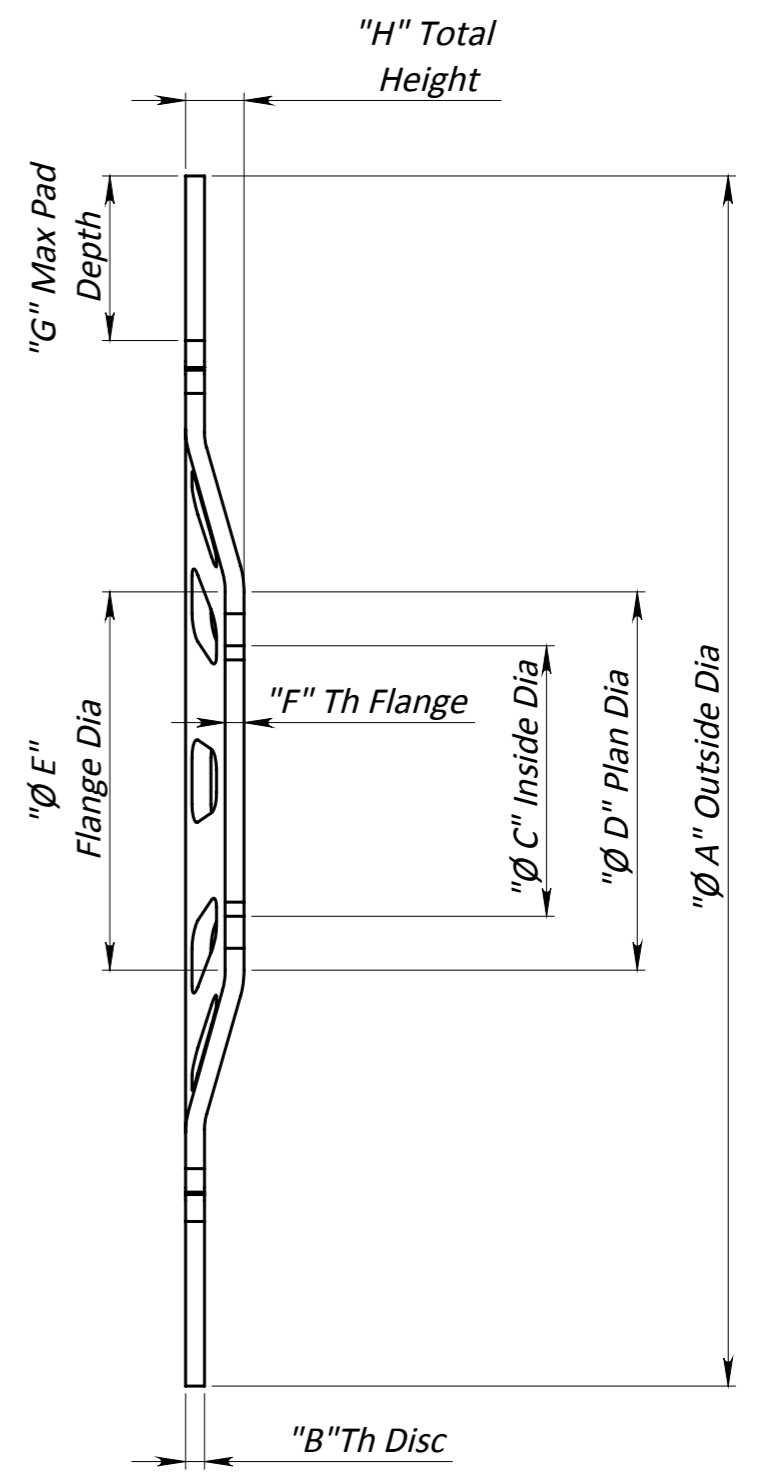
Fixing type "A"



Fixing type "B"



Fixing type "C"



"Ø A" Outside Diameter	"B" Th Disc	"Ø C" Inside Diameter	"Ø D" Plan Diameter	"Ø E" Flange Diameter	"F" Th Flange	"G" Max Pad Depth
"H" Total Height	Fixing type	"Ø I" P.C.D.	"Ø L" HOLES	"Number" HOLES	"Ø M"	"N" Share depth

BRAND	
MODEL	
ENGINE SIZE	
YEAR	
FRONT/REAR	

TAROX
Curved motorcycle floating disc form